

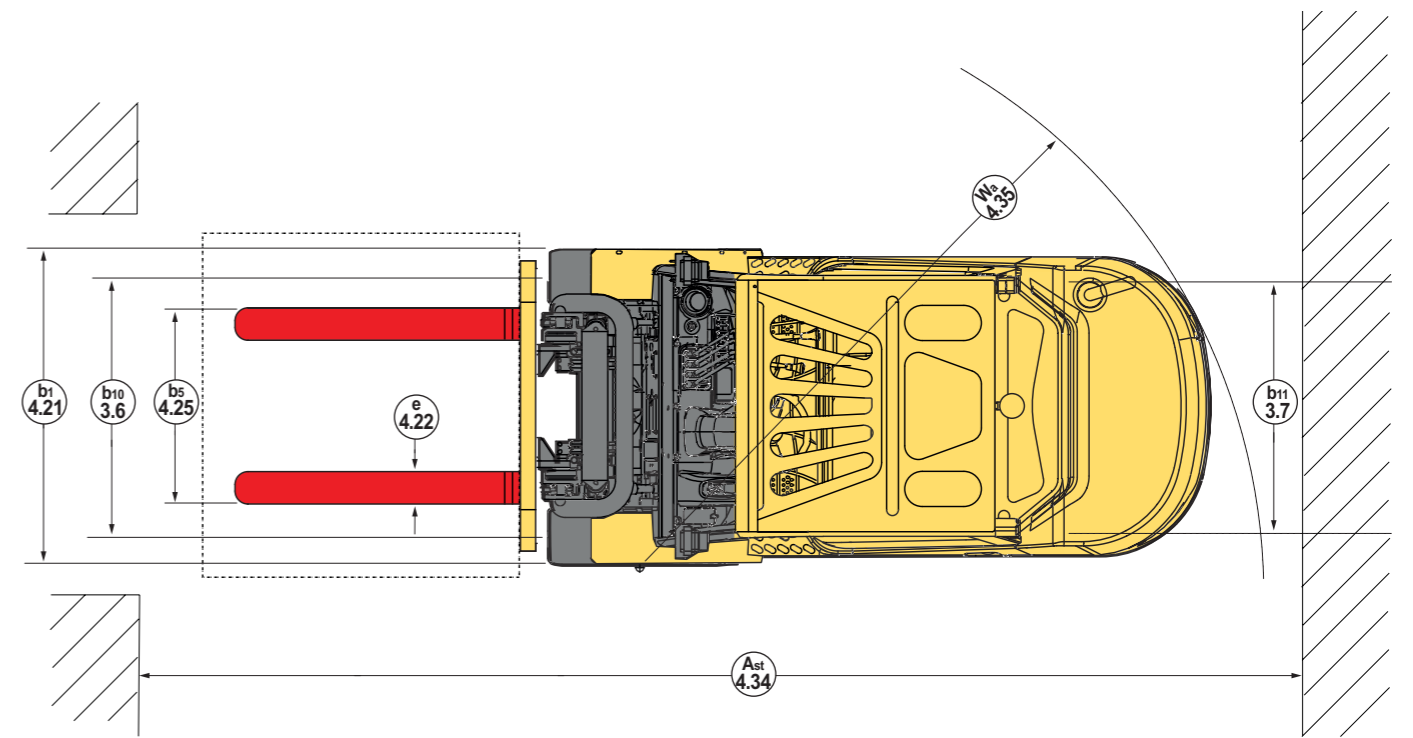
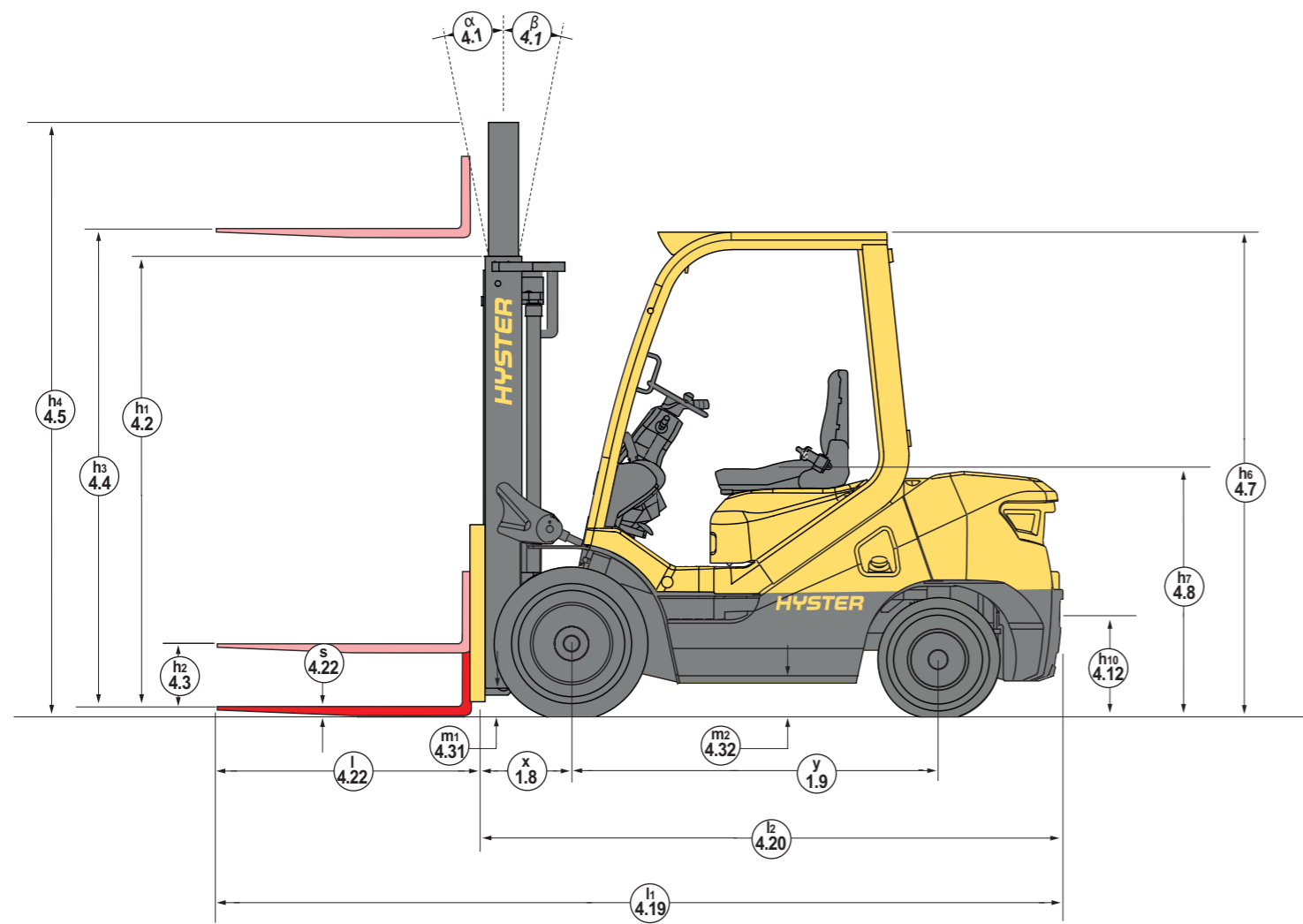
H2.0-3.5UT SERIES



DIESEL, LPG AND DUAL FUEL FORKLIFT TRUCKS
PRODUCT TECHNICAL GUIDE



TRUCK DIMENSIONS



H2.OUT, H2.5UT DIESEL ENGINES SPECIFICATIONS

| GENERAL | 1-1 | Manufacturer | HYSTER | | | | |
|-------------------|---|---|---------------------|----------------|-----------------|--------------|---------------|
| | 1-2 | Model designation | H2.OUT | H2.OUT | H2.5UT | H2.5UT | |
| | 1-3 | Drive | Diesel | | | | |
| | 1-3-1 | CE compliance / Emission standards | Stage IIIA | Stage V | Stage IIIA | Stage V | |
| 1-4 | Operator type: hand, pedestrian, standing, seated, order-picker | Seated | | | | | |
| 1-5 | Rated capacity/rated load | Q | t | 2.0 | 2.5 | | |
| 1-6 | Load centre distance | c | mm | 500 | | | |
| 1-8 | Load distance | x | mm | 475 | | | |
| 1-9 | Wheelbase | y | mm | 1600 | | | |
| WEIGHT | 2-1 | Service weight | 3390 | | 3650 | | |
| | 2-2 | Axle loading, laden front | 4760 | | 5320 | | |
| | 2-2-1 | Axle loading, laden rear | 630 | | 650 | | |
| | 2-3 | Axle loading, unladen front | 1540 | | 1500 | | |
| 2-3-1 | Axle loading, unladen rear | 1850 | | 2150 | | | |
| WHEELS | 3-1 | Tyres: P = pneumatic, V = cushion, SE = superelastic | Pneumatic | | | | |
| | 3-2 | Tyre size, Front | 7.00 x 12-12PR | | | | |
| | 3-3 | Tyre size, Rear | 6.00 x 9-10PR | | | | |
| | 3-5 | Wheels, number Front/Rear (x = drive wheels) | 2x / 2 | | | | |
| 3-6 | Standard tread width, Front | b10 | mm | 970 | | | |
| 3-7 | Standard tread width, Rear | b11 | mm | 980 | | | |
| DIMENSIONS | 4-1 | Tilt of mast/fork carriage, forward /backward | α / β | ($^{\circ}$) | 6 / 12 | | |
| | 4-2 | 2LFL mast lowered | h1 | mm | 2010 | | |
| | 4-3 | 2LFL free lift - Bottom of forks | h2 | mm | 160 | | |
| | 4-4 | 2LFL lift - Bottom of forks | h3 | mm | 3000 | | |
| | 4-5 | Height, mast extended (1) | h4 | mm | 3575 | | |
| | 4-7 | Height of overhead guard (high/low) (2) | h6 | mm | 2180 | | |
| | 4-8 | Seat height/stand height (SIP from ground - Standard) (3) | h7 | mm | 1167 | | |
| | 4-12 | Coupling height from ground | h1 | mm | 250 | | |
| | 4-19 | Overall length | l1 | mm | 3630 | 3630 | |
| | 4-20 | Length to face of forks standard carriage | l2 | mm | 2560 | 2560 | |
| | 4-21 | Overall width Standard Tyre | b1 | mm | 1150 | | |
| | 4-21-1 | Overall width Dual Tyre | b2 | mm | 1590 | | |
| | 4-22 | Fork Dimensions DIN ISO 2331 | s/e/l | mm | 40 x 122 x 1070 | | |
| | 4-23 | Fork carriage ISO 2328. Class/type, A/B | | mm | IIA | | |
| | 4-24 | Fork carriage width (4) | b3 | mm | 1040 | | |
| | 4-31 | Ground clearance, laden, below mast | m1 | mm | 125 | | |
| 4-32 | Ground clearance, centre of wheelbase | m2 | mm | 150 | | | |
| 4-34-1 | Aisle width with pallets 1000mm x 1200mm crossways (l6 x b12) | Ast | mm | 3966 | 4026 | | |
| 4-34-2 | Aisle width with pallets 800mm x 1200mm crossways (l6 x b12) | Ast | mm | 3766 | 3826 | | |
| 4-35 | Outside turning radius | Wa | mm | 2290 | 2350 | | |
| 4-36 | Internal turning radius | b13 | mm | 745 | | | |
| PERFORMANCE | 5-1 | Travel speed, laden/unladen | 19 / 19 | | 18 / 18 | 19 / 19 | 18 / 18 |
| | 5-2 | Lifting speed laden/unladen | 0.54 / 0.57 | | 0.50 / 0.53 | 0.56 / 0.61 | 0.50 / 0.53 |
| | 5-3 | Lowering speed laden/unladen | 0.43 / 0.40 | | 0.43 / 0.40 | 0.45 / 0.41 | 0.43 / 0.40 |
| | 5-5 | Maximum drawbar pull with/without load | 12774 / 8761 | | 25400 / 15500 | 12648 / 8450 | 25400 / 15500 |
| | 5-7 | Gradeability laden/unladen @ 4.8km/h | 10.4 / 22.4 | | 20 / 25 | 8.8 / 19.5 | 20 / 25 |
| | 5-9 | Acceleration time, laden/unladen 15m | 4.6 / 4.5 | | 4.1 / 3.7 | 4.7 / 4.6 | 4.3 / 3.8 |
| COMBUSTION ENGINE | 7-1 | Engine | Yanmar 2.6L | | LS 2.5L | Yanmar 2.6L | S 2.5L |
| | 7-2 | Engine power | 32.8 | | 42 | 32.8 | 42 |
| | 7-3 | Rated speed | 2450 | | 2300 | 2450 | 2300 |
| | 7-4 | Number of cylinders / displacement | (-)/cm ³ | | 4 / 2659 | 4 / 2659 | 4 / 2505 |
| | 7-5 | Fuel Consumption according to VDI cycle | l/h or kg/h | | 2.6 | 3.7 | 3.64 |
| ADDITIONAL DATA | 10-1 | Operating pressure of attachments | bar | | | | 0 - 175 |
| | 10-2 | Oil volume flow for attachments (5) | l/min | | 64 | 65 | 64 |
| | 10-3 | Hydraulic oil tank capacity - Initial fill | litres | | | | 60 |
| | 10-4 | Fuel tank, capacity | litres | | | | 60 |
| | 10-7 | Sound pressure at driver's ear OHG (6) | dB(A) | | 84 | 84.7 | 84 |
| 10-8 | Towing couple type | | | | | Pin | |

(1) Without load backrest. (2) h6 subject to +/- 5mm tolerance. (3) Full suspension seat in depressed position. (4) Add 32mm with load backrest. (5) Variable. (6) LPAZ, measured according to the test cycles and based on the weighting values contained in EN12053. **Specification data is based on VDI 2198, with the following configuration:** Complete truck with 3000mm 2-stage limited free lift mast, standard carriage and 1070mm forks, overhead guard and standard pneumatic drive and steer tyres.

CERTIFICATION: Hyster lift trucks meet the design and construction requirements of B56.1-1969, per OSHA Section 1910.178(a)(2), and also comply with the B56.1 revision in effect at time of manufacture. Certification of compliance with the applicable ANSI standards appears on the lift truck. Performance specifications are for a truck equipped as described under Standard Equipment on this technical guide. Performance specifications are affected by the condition of the vehicle and how it is equipped, as well as by the nature, condition of the operating area, proper service and maintenance of the vehicle. If these specifications are critical, the proposed application should be discussed with your dealer.

H3.OUT DIESEL ENGINES SPECIFICATIONS

| GENERAL | 1-1 | Manufacturer | HYSTER | | | | |
|-------------------|---|---|---------------------|----------------|------------------------------|---------------|----------|
| | 1-2 | Model designation | H3.OUT | H3.OUT | H3.OUT | H3.OUT | |
| | 1-3 | Drive | Diesel | | | | |
| | 1-3-1 | CE compliance / Emission standards | Stage IIIA | | Stage V | | |
| 1-4 | Operator type: hand, pedestrian, standing, seated, order-picker | Seated | | | | | |
| 1-5 | Rated capacity/rated load | Q | t | 3.0 | | | |
| 1-6 | Load centre distance | c | mm | 500 | | | |
| 1-8 | Load distance | x | mm | 490 | | | |
| 1-9 | Wheelbase | y | mm | 1700 | | | |
| WEIGHT | 2-1 | Service weight | 4300 | | 4300 | | |
| | 2-2 | Axle loading, laden front | 6490 | | 6490 | | |
| | 2-2-1 | Axle loading, laden rear | 770 | | 810 | | |
| | 2-3 | Axle loading, unladen front | 1710 | | 1710 | | |
| 2-3-1 | Axle loading, unladen rear | 2590 | | 2590 | | | |
| WHEELS | 3-1 | Tyres: P = pneumatic, V = cushion, SE = superelastic | Pneumatic | | | | |
| | 3-2 | Tyre size, Front | 28x9-15-14PR | | | | |
| | 3-3 | Tyre size, Rear | 6.50-10-10PR | | | | |
| | 3-5 | Wheels, number Front/Rear (x = drive wheels) | 2X / 2 | | | | |
| 3-6 | Standard tread width, Front | b10 | mm | 1000 | | | |
| 3-7 | Standard tread width, Rear | b11 | mm | 970 | 980 | | |
| DIMENSIONS | 4-1 | Tilt of mast/fork carriage, forward /backward | α / β | ($^{\circ}$) | 6 / 12 | | |
| | 4-2 | 2LFL mast lowered | h1 | mm | 2075 | | |
| | 4-3 | 2LFL free lift - Bottom of forks | h2 | mm | 165 | | |
| | 4-4 | 2LFL lift - Bottom of forks | h3 | mm | 3000 | | |
| | 4-5 | Height, mast extended (1) | h4 | mm | 3640 | | |
| | 4-7 | Height of overhead guard (high/low) (2) | h6 | mm | 2205 | | |
| | 4-8 | Seat height/stand height (SIP from ground - Standard) (3) | h7 | mm | 1192 | | |
| | 4-12 | Coupling height from ground | h1 | mm | 260 | | |
| | 4-19 | Overall length | l1 | mm | 3765 | | |
| | 4-20 | Length to face of forks standard carriage | l2 | mm | 2695 | | |
| | 4-21 | Overall width Standard Tyre | l1 | mm | 1210 | | |
| | 4-21-1 | Overall width Dual Tyre | l2 | mm | 1650 | | |
| | 4-22 | Fork Dimensions DIN ISO 2331 | s/e/l | mm | 45 x 122 x 1070 | | |
| | 4-23 | Fork carriage ISO 2328. Class/type, A/B | | mm | IIIA | | |
| | 4-24 | Fork carriage width (4) | b3 | mm | 1100 | | |
| | 4-31 | Ground clearance, laden, below mast | m1 | mm | 140 | | |
| 4-32 | Ground clearance, centre of wheelbase | m2 | mm | 145 | | | |
| 4-34-1 | Aisle width with pallets 1000mm x 1200mm crossways (l6 x b12) | Ast | mm | 4126 | | | |
| 4-34-2 | Aisle width with pallets 800mm x 1200mm crossways (l6 x b12) | Ast | mm | 3926 | | | |
| 4-35 | Outside turning radius | Wa | mm | 2430 | | | |
| 4-36 | Internal turning radius | b13 | mm | 830 | | | |
| PERFORMANCE | 5-1 | Travel speed, laden/unladen | 19 / 20 | | 19 / 20 | 18 / 18 | |
| | 5-2 | Lifting speed laden/unladen | 0.46 / 0.49 | | 0.42 / 0.459 | 0.39 / 0.42 | |
| | 5-3 | Lowering speed laden/unladen | 0.40 / 0.38 | | 0.40 / 0.38 | 0.38 / 0.37 | |
| | 5-5 | Maximum drawbar pull with/without load | 16094 / 9688 | | 20596 / 14800 (16941 / 9688) | 24100 / 18000 | |
| | 5-7 | Gradeability laden/unladen @ 4.8km/h | 14 / 18 | | 12.5 / 19 | 19.5 / 24 | |
| | 5-9 | Acceleration time, laden/unladen 15m | 4.6 / 4.5 | | 4.5 / 4.4 | 4.5 / 4.0 | |
| COMBUSTION ENGINE | 7-1 | Engine | Yanmar 3.0L | | Yanmar 3.3L | LS 2.5L | |
| | 7-2 | Engine power | 35.5 | | 42.1 | 42 | |
| | 7-3 | Rated speed | 2400 | | 2300 | | |
| | 7-4 | Number of cylinders / displacement | (-)/cm ³ | | 4 / 3054 | 4 / 3319 | 4 / 2505 |
| | 7-5 | Fuel Consumption according to VDI cycle | l/h or kg/h | | 4.6 | 4.06 | 4.0 |
| ADDITIONAL DATA | 10-1 | Operating pressure of attachments | bar | | | | 0 - 175 |
| | 10-2 | Oil volume flow for attachments (5) | l/min | | 64 | 64 | |
| | 10-3 | Hydraulic oil tank capacity - Initial fill | litres | | | | 70 |
| | 10-4 | Fuel tank, capacity | litres | | | | 70 |
| | 10-7 | Sound pressure at driver's ear OHG (6) | dB(A) | | 85 | 84 | |
| 10-8 | Towing couple type | | | | | Pin | |

(1) Without load backrest. (2) h6 subject to +/- 5mm tolerance. (3) Full suspension seat in depressed position. (4) Add 32mm with load backrest. (5) Variable. (6) LPAZ, measured according to the test cycles and based on the weighting values contained in EN12053. **Specification data is based on VDI 2198, with the following configuration:** Complete truck with 3000mm 2-stage limited free lift mast, standard carriage and 1070mm forks, overhead guard and standard pneumatic drive and steer tyres.

CERTIFICATION: Hyster lift trucks meet the design and construction requirements of B56.1-1969, per OSHA Section 1910.178(a)(2), and also comply with the B56.1 revision in effect at time of manufacture. Certification of compliance with the applicable ANSI standards appears on the lift truck. Performance specifications are for a truck equipped as described under Standard Equipment on this technical guide. Performance specifications are affected by the condition of the vehicle and how it is equipped, as well as by the nature, condition of the operating area, proper service and maintenance of the vehicle. If these specifications are critical, the proposed application should be discussed with your dealer.

H3.5UT DIESEL ENGINES SPECIFICATIONS

| GENERAL | 1-1 | | HYSTER | |
|-------------------|---|---|------------------|---------------------|
| | 1-1 | Manufacturer | | |
| 1-2 | Model designation | | H3.5UT | H3.5UT |
| 1-3 | Drive | | Diesel | |
| 1-3-1 | CE compliance / Emission standards | | Stage IIIA | Stage V |
| 1-4 | Operator type: hand, pedestrian, standing, seated, order-picker | | Seated | |
| 1-5 | Rated capacity/rated load | Q | t | 3.5 |
| 1-6 | Load centre distance | c | mm | 500 |
| 1-8 | Load distance | x | mm | 510 |
| 1-9 | Wheelbase | y | mm | 1700 |
| WEIGHT | 2-1 | Service weight | | 4710 |
| | 2-2 | Axle loading, laden front | | 7250 |
| | 2-2-1 | Axle loading, laden rear | | 960 |
| | 2-3 | Axle loading, unladen front | | 1690 |
| | 2-3-1 | Axle loading, unladen rear | | 3020 |
| WHEELS | 3-1 | Tyres: P = pneumatic, V = cushion, SE = superelastic | | |
| | 3-2 | Tyre size, Front | | |
| | 3-3 | Tyre size, Rear | | |
| | 3-5 | Wheels, number Front/Rear (x = drive wheels) | | |
| | 3-6 | Standard tread width, Front | b10 | mm |
| 3-7 | Standard tread width, Rear | b11 | mm | |
| DIMENSIONS | 4-1 | Tilt of mast/fork carriage, forward /backward | α / β | (°) |
| | 4-2 | 2LFL mast lowered | h1 | mm |
| | 4-3 | 2LFL free lift - Bottom of forks | h2 | mm |
| | 4-4 | 2LFL lift - Bottom of forks | h3 | mm |
| | 4-5 | Height, mast extended (1) | h4 | mm |
| | 4-7 | Height of overhead guard (high/low) (2) | h6 | mm |
| | 4-8 | Seat height/stand height (SIP from ground - Standard) (3) | h7 | mm |
| | 4-12 | Coupling height from ground | h1 | mm |
| | 4-19 | Overall length | l1 | mm |
| | 4-20 | Length to face of forks standard carriage | l2 | mm |
| | 4-21 | Overall width Standard Tyre | l1 | mm |
| | 4-21-1 | Overall width Dual Tyre | l2 | mm |
| | 4-22 | Fork Dimensions DIN ISO 2331 | s/e/l | mm |
| | 4-23 | Fork carriage ISO 2328. Class/type, A/B | | mm |
| | 4-24 | Fork carriage width (4) | b3 | mm |
| | 4-31 | Ground clearance, laden, below mast | m1 | mm |
| | 4-32 | Ground clearance, centre of wheelbase | m2 | mm |
| | 4-34-1 | Aisle width with pallets 1000mm x 1200mm crossways (l6 x b12) | Ast | mm |
| | 4-34-2 | Aisle width with pallets 800mm x 1200mm crossways (l6 x b12) | Ast | mm |
| | 4-35 | Outside turning radius | Wa | mm |
| 4-36 | Internal turning radius | b13 | mm | |
| PERFORMANCE | 5-1 | Travel speed, laden/unladen | | km/h |
| | 5-2 | Lifting speed laden/unladen | | m/s |
| | 5-3 | Lowering speed laden/unladen | | m/s |
| | 5-5 | Maximum drawbar pull with/without load | | N |
| | 5-7 | Gradeability laden/unladen @ 4.8km/h | | % |
| COMBUSTION ENGINE | 7-1 | Engine | | |
| | 7-2 | Engine power | | W |
| | 7-3 | Rated speed | | min-1 |
| | 7-4 | Number of cylinders / displacement | | (-)/cm ³ |
| | 7-5 | Fuel Consumption according to VDI cycle | | l/h or kg/h |
| ADDITIONAL DATA | 10-1 | Operating pressure of attachments | | bar |
| | 10-2 | Oil volume flow for attachments (5) | | l/min |
| | 10-3 | Hydraulic oil tank capacity - Initial fill | | litres |
| | 10-4 | Fuel tank, capacity | | litres |
| | 10-7 | Sound pressure at driver's ear OHG (6) | | dB(A) |

(1) Without load backrest. (2) h6 subject to +/- 5mm tolerance. (3) Full suspension seat in depressed position. (4) Add 32mm with load backrest. (5) Variable. (6) LPAZ, measured according to the test cycles and based on the weighting values contained in EN12053. **Specification data is based on VDI 2198, with the following configuration:** Complete truck with 3000mm 2-stage limited free lift mast, standard carriage and 1070mm forks, overhead guard and standard pneumatic drive and steer tyres.

CERTIFICATION: Hyster lift trucks meet the design and construction requirements of B56.1-1969, per OSHA Section 1910.178(a)(2), and also comply with the B56.1 revision in effect at time of manufacture. Certification of compliance with the applicable ANSI standards appears on the lift truck. Performance specifications are for a truck equipped as described under Standard Equipment on this technical guide. Performance specifications are affected by the condition of the vehicle and how it is equipped, as well as by the nature, condition of the operating area, proper service and maintenance of the vehicle. If these specifications are critical, the proposed application should be discussed with your dealer.

H2.OUT, H2.5UT, H3.OUT, H3.5UT LPG/DUAL FUEL ENGINES SPECIFICATIONS

| GENERAL | 1-1 | | HYSTER | |
|-------------------|---|---|------------------|---------------------|
| | 1-1 | Manufacturer | | |
| 1-2 | Model designation | | H2.OUT | H2.5UT |
| 1-3 | Drive | | LPG / Dual Fuel | |
| 1-3-1 | CE compliance / Emission standards | | Stage V | Stage IIIA |
| 1-4 | Operator type: hand, pedestrian, standing, seated, order-picker | | Seated | |
| 1-5 | Rated capacity/rated load | Q | t | 2.0 |
| 1-6 | Load centre distance | c | mm | 500 |
| 1-8 | Load distance | x | mm | 475 |
| 1-9 | Wheelbase | y | mm | 1600 |
| WEIGHT | 2-1 | Service weight | | kg |
| | 2-2 | Axle loading, laden front | | kg |
| | 2-2-1 | Axle loading, laden rear | | kg |
| | 2-3 | Axle loading, unladen front | | kg |
| | 2-3-1 | Axle loading, unladen rear | | kg |
| WHEELS | 3-1 | Tyres: P = pneumatic, V = cushion, SE = superelastic | | |
| | 3-2 | Tyre size, Front | | |
| | 3-3 | Tyre size, Rear | | |
| | 3-5 | Wheels, number Front/Rear (x = drive wheels) | | |
| | 3-6 | Standard tread width, Front | b10 | mm |
| 3-7 | Standard tread width, Rear | b11 | mm | |
| DIMENSIONS | 4-1 | Tilt of mast/fork carriage, forward /backward | α / β | (°) |
| | 4-2 | 2LFL mast lowered | h1 | mm |
| | 4-3 | 2LFL free lift - Bottom of forks | h2 | mm |
| | 4-4 | 2LFL lift - Bottom of forks | h3 | mm |
| | 4-5 | Height, mast extended (1) | h4 | mm |
| | 4-7 | Height of overhead guard (high/low) (2) | h6 | mm |
| | 4-8 | Seat height/stand height (SIP from ground - Standard) (3) | h7 | mm |
| | 4-12 | Coupling height from ground | h1 | mm |
| | 4-19 | Overall length | l1 | mm |
| | 4-20 | Length to face of forks standard carriage | l2 | mm |
| | 4-21 | Overall width Standard Tyre | b1 | mm |
| | 4-21-1 | Overall width Dual Tyre | b2 | mm |
| | 4-22 | Fork Dimensions DIN ISO 2331 | s/e/l | mm |
| | 4-23 | Fork carriage ISO 2328. Class/type, A/B | | mm |
| | 4-24 | Fork carriage width (4) | b3 | mm |
| | 4-31 | Ground clearance, laden, below mast | m1 | mm |
| | 4-32 | Ground clearance, centre of wheelbase | m2 | mm |
| | 4-34-1 | Aisle width with pallets 1000mm x 1200mm crossways (l6 x b12) | Ast | mm |
| | 4-34-2 | Aisle width with pallets 800mm x 1200mm crossways (l6 x b12) | Ast | mm |
| | 4-35 | Outside turning radius | Wa | mm |
| 4-36 | Internal turning radius | b13 | mm | |
| PERFORMANCE | 5-1 | Travel speed, laden/unladen | | km/h |
| | 5-2 | Lifting speed laden/unladen | | m/s |
| | 5-3 | Lowering speed laden/unladen | | m/s |
| | 5-5 | Maximum drawbar pull with/without load | | N |
| | 5-7 | Gradeability laden/unladen @ 4.8km/h | | % |
| COMBUSTION ENGINE | 7-1 | Engine | | |
| | 7-2 | Engine power | | W |
| | 7-3 | Rated speed | | min-1 |
| | 7-4 | Number of cylinders / displacement | | (-)/cm ³ |
| | 7-5 | Fuel Consumption according to VDI cycle | | l/h or kg/h |
| ADDITIONAL DATA | 10-1 | Operating pressure of attachments | | bar |
| | 10-2 | Oil volume flow for attachments (5) | | l/min |
| | 10-3 | Hydraulic oil tank capacity - Initial fill | | litres |
| | 10-4 | Fuel tank, capacity | | litres |
| | 10-7 | Sound pressure at driver's ear OHG (6) | | dB(A) |

(1) Without load backrest. (2) h6 subject to +/- 5mm tolerance. (3) Full suspension seat in depressed position. (4) Add 32mm with load backrest. (5) Variable. (6) LPAZ, measured according to the test cycles and based on the weighting values contained in EN12053. **Specification data is based on VDI 2198, with the following configuration:** Complete truck with 3000mm 2-stage limited free lift mast, standard carriage and 1070mm forks, overhead guard and standard pneumatic drive and steer tyres.

CERTIFICATION: Hyster lift trucks meet the design and construction requirements of B56.1-1969, per OSHA Section 1910.178(a)(2), and also comply with the B56.1 revision in effect at time of manufacture. Certification of compliance with the applicable ANSI standards appears on the lift truck. Performance specifications are for a truck equipped as described under Standard Equipment on this technical guide. Performance specifications are affected by the condition of the vehicle and how it is equipped, as well as by the nature, condition of the operating area, proper service and maintenance of the vehicle. If these specifications are critical, the proposed application should be discussed with your dealer.



H2.OUT RATED CAPACITY KG@ 500 MM LOAD CENTRE

| | Maximum Fork Lift (mm) | Mast tilt | | Lowered height (mm) | Lift Height without LBR (mm) | Lift Height with LBR (mm) | Free Lift Height (mm) | | Without Sideshift | |
|---------------------------|------------------------|------------------|---------------|---------------------|------------------------------|---------------------------|-----------------------|---------------|-------------------|-----------|
| | | Forward tilt (°) | Back tilt (°) | | | | Without Backrest | With Backrest | Single Tyre | Dual Tyre |
| 2-STAGE LIMITED FREE LIFT | 3000 | 6 | 12 | 2010 | 3575 | 3990 | 160 | 160 | 2000 | 2000 |
| | 3300 | 6 | 12 | 2160 | 3875 | 4290 | 160 | 160 | 2000 | 2000 |
| | 3700 | 6 | 6 | 2360 | 4275 | 4690 | 160 | 160 | 2000 | 2000 |
| | 4000 | 6 | 6 | 2560 | 4575 | 4990 | 160 | 160 | 2000 | 2000 |
| 3-STAGE FULL FREE LIFT | 4500 | 6 | 6 | 2060 | 5017 | 5490 | 1440 | 1070 | 1500 | 1800 |
| | 4800 | 6 | 6 | 2160 | 5317 | 5790 | 1540 | 1170 | 1250 | 1700 |
| | 5500 | 3 | 6 | 2425 | 6017 | 6490 | 1800 | 1430 | 850 | 1350 |
| | 6000 | 3 | 6 | 2610 | 6517 | 6990 | 1990 | 1620 | 700 | 1100 |
| | 6500 | 3 | 6 | 2825 | 7017 | 7490 | 2215 | 1835 | 400 | 800 |

H2.5UT RATED CAPACITY KG@ 500 MM LOAD CENTRE

| | Maximum Fork Lift (mm) | Mast tilt | | Lowered height (mm) | Lift Height without LBR (mm) | Lift Height with LBR (mm) | Free Lift Height (mm) | | Without Sideshift | |
|---------------------------|------------------------|------------------|---------------|---------------------|------------------------------|---------------------------|-----------------------|---------------|-------------------|-----------|
| | | Forward tilt (°) | Back tilt (°) | | | | Without Backrest | With Backrest | Single Tyre | Dual Tyre |
| 2-STAGE LIMITED FREE LIFT | 3000 | 6 | 12 | 2010 | 3575 | 3990 | 160 | 160 | 2500 | 2500 |
| | 3300 | 6 | 12 | 2160 | 3875 | 4290 | 160 | 160 | 2500 | 2500 |
| | 3700 | 6 | 6 | 2360 | 4275 | 4690 | 160 | 160 | 2500 | 2500 |
| | 4000 | 6 | 6 | 2560 | 4575 | 4990 | 160 | 160 | 2500 | 2500 |
| 3-STAGE FULL FREE LIFT | 4500 | 6 | 6 | 2060 | 5017 | 5490 | 1440 | 1070 | 2000 | 2300 |
| | 4800 | 6 | 6 | 2160 | 5317 | 5790 | 1540 | 1170 | 1700 | 2000 |
| | 5500 | 3 | 6 | 2425 | 6017 | 6490 | 1800 | 1430 | 1100 | 1800 |
| | 6000 | 3 | 6 | 2610 | 6517 | 6990 | 1990 | 1620 | 800 | 1300 |
| | 6500 | 3 | 6 | 2825 | 7017 | 7490 | 2215 | 1835 | 500 | 1000 |

H3.OUT RATED CAPACITY KG@ 500 MM LOAD CENTRE

| | Maximum Fork Lift (mm) | Mast tilt | | Lowered height (mm) | Lift Height without LBR (mm) | Lift Height with LBR (mm) | Free Lift Height (mm) | | Without Sideshift | |
|---------------------------|------------------------|------------------|---------------|---------------------|------------------------------|---------------------------|-----------------------|---------------|-------------------|-----------|
| | | Forward tilt (°) | Back tilt (°) | | | | Without Backrest | With Backrest | Single Tyre | Dual Tyre |
| 2-STAGE LIMITED FREE LIFT | 3000 | 6 | 12 | 2075 | 3640 | 4100 | 165 | 165 | 3000 | 3000 |
| | 3300 | 6 | 12 | 2225 | 3940 | 4400 | 165 | 165 | 3000 | 3000 |
| | 3700 | 6 | 6 | 2425 | 4340 | 4800 | 165 | 165 | 3000 | 3000 |
| | 4000 | 6 | 6 | 2625 | 4640 | 5100 | 165 | 165 | 3000 | 3000 |
| 3-STAGE FULL FREE LIFT | 4500 | 6 | 6 | 2125 | 5100 | 5600 | 1525 | 1025 | 2500 | 2700 |
| | 4800 | 6 | 6 | 2225 | 5400 | 5900 | 1625 | 1125 | 2250 | 2450 |
| | 5500 | 3 | 6 | 2490 | 6100 | 6600 | 1880 | 1380 | 1600 | 2050 |
| | 6000 | 3 | 6 | 2675 | 6600 | 7100 | 2075 | 1575 | 1200 | 1900 |
| | 6500 | 3 | 6 | 2890 | 7100 | 7600 | 2260 | 1790 | 700 | 1300 |

H3.5UT RATED CAPACITY KG@ 500 MM LOAD CENTRE

| | Maximum Fork Lift (mm) | Mast tilt | | Lowered height (mm) | Lift Height without LBR (mm) | Lift Height with LBR (mm) | Free Lift Height (mm) | | Without Sideshift | |
|---------------------------|------------------------|------------------|---------------|---------------------|------------------------------|---------------------------|-----------------------|---------------|-------------------|-----------|
| | | Forward tilt (°) | Back tilt (°) | | | | Without Backrest | With Backrest | Single Tyre | Dual Tyre |
| 2-STAGE LIMITED FREE LIFT | 3000 | 6 | 12 | 2150 | 3700 | 4100 | 165 | 170 | 3500 | 3500 |
| | 3300 | 6 | 12 | 2300 | 4000 | 4400 | 165 | 170 | 3500 | 3500 |
| | 3700 | 6 | 6 | 2500 | 4400 | 4800 | 165 | 170 | 3500 | 3500 |
| | 4000 | 6 | 6 | 2700 | 4700 | 5100 | 165 | 170 | 3300 | 3500 |
| 3-STAGE FULL FREE LIFT | 4500 | 6 | 6 | 2200 | 5140 | 5600 | 1525 | 1100 | 2800 | 3000 |
| | 4800 | 6 | 6 | 2300 | 5440 | 5900 | 1625 | 1200 | 2500 | 2750 |
| | 5500 | 3 | 6 | 2565 | 6140 | 6600 | 1880 | 1445 | 1700 | 2200 |
| | 6000 | 3 | 6 | 2750 | 6640 | 7100 | 2075 | 1650 | 1300 | 2100 |
| | 6500 | 3 | 6 | 2965 | 7100 | 7600 | 2260 | 1830 | 800 | 1500 |



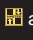
| PERFORMANCE | STD | OPT |
|--|-----|-----|
| H2.0UT | X | |
| H2.5UT | X | |
| H3.0UT | X | |
| H3.5UT | X | |
| LS 2.5L Diesel - Stage V | X | |
| PSI 2.4L LPG / Dual Fuel - Stage V | X | |
| Yanmar 3.3L diesel engine - H3.0-3.5UT | X | |
| Yanmar 2.6L, 3.0L and 3.3L Diesel - Stage IIIA | | X |
| GCT K25 LPG / Dual Fuel - Stage IIIA | | X |
| Serpentine Radiator | X | |
| Horizontal Exhaust | X | |
| Upswept Exhaust | | X |
| High Air Intake | X | |
| High Air Intake with Precleaner | | X |
| Powershift - 1 Speed Transmission | X | |
| Drum brakes | X | |
| DRIVE | STD | OPT |
| Standard Tread | X | |
| Wide Tread | | X |
| Dual Tread | | X |
| 7.00 x 12-12 Super Elastic Drive Tyres (Standard Tread) - H2.0-2.5UT | | X |
| 7.00 x 12-12 PR Pneumatic Drive Tyres (Standard Tread) - H2.0-2.5UT | X | |
| 7.00 x 12-12 Super Elastic Non-Marking Drive Tyres (Standard Tread) - H2.0-2.5UT | | X |
| 28 x 9-15-12 Super Elastic Drive Tyres (Standard Tread) - H3.0-3.5UT | | X |
| 28 x 9-15-12 PR Pneumatic Drive Tyres (Standard Tread) - H3.0-3.5UT | X | |
| 28 x 9-15-12 Super Elastic Non-Marking Drive Tyres (Standard Tread) - H3.0-3.5UT | | X |
| 7.00 x 12-12 PR Pneumatic Drive Tyres (Dual Tread) - H2.0-2.5UT | | X |
| 7.00 x 12-12 Super Elastic Drive Tyres (Dual Tread) - H2.0-2.5UT | | X |
| 28 x 9-15-12 Super Elastic Drive Tyres (Dual Tread) - H3.0-3.5UT | | X |
| 28 x 9-15-12 PR Pneumatic Drive Tyres (Dual Tread) - H3.0-3.5UT | X | |
| 6.00 x 9-10 Super Elastic Steer Tyres - H2.0-2.5UT | | X |
| 6.00 x 9-10 Super Elastic Steer Tyres - H2.0-2.5UT | X | |
| 6.00 x 9-10 Super Elastic Non-Marking Steer Tyres - H2.0-2.5UT | | X |
| 6.50 x 10-10 Super Elastic Steer Tyres - H3.0-3.5UT | | X |
| 6.50 x 10-10 Pneumatic Steer Tyres - H3.0-3.5UT | X | |
| 6.50 x 10-10 Super Elastic Non-Marking Steer Tyres - H3.0-3.5UT | | X |
| LIFT | STD | OPT |
| 2 Stage Limited Free Lift | X | |
| 3 Stage Full Free Lift | | X |
| 3000mm 2 Stage Limited Free Lift Mast (2010mm Lowered Height) | | X |
| 3000mm 2 Stage Limited Free Lift Mast (2075mm Lowered Height) | X | |
| 3000mm 2 Stage Limited Free Lift Mast (2150mm Lowered Height) | X | |
| 3300mm 2 Stage Limited Free Lift Mast (2160mm Lowered Height) | X | |
| 3300mm 2 Stage Limited Free Lift Mast (2225mm Lowered Height) | | X |
| 3300mm 2 Stage Limited Free Lift Mast (2300mm Lowered Height) | | X |
| 3700mm 2 Stage Limited Free Lift Mast (2360mm Lowered Height) | | X |
| 3700mm 2 Stage Limited Free Lift Mast (2425mm Lowered Height) | | X |
| 3700mm 2 Stage Limited Free Lift Mast (2500mm Lowered Height) | | X |
| 4500mm 3 Stage Full Free Lift Mast (2060mm Lowered Height) | | X |
| 4500mm 3 Stage Full Free Lift Mast (2125mm Lowered Height) | | X |
| 4500mm 3 Stage Full Free Lift Mast (2200mm Lowered Height) | | X |
| 4800mm 3 Stage Full Free Lift Mast (2160mm Lowered Height) | | X |
| 4800mm 3 Stage Full Free Lift Mast (2225mm Lowered Height) | | X |
| 4800mm 3 Stage Full Free Lift Mast (2300mm Lowered Height) | | X |
| 5500mm 3 Stage Full Free Lift Mast (2425mm Lowered Height) | | X |
| 5500mm 3 Stage Full Free Lift Mast (2490mm Lowered Height) | | X |
| 5500mm 3 Stage Full Free Lift Mast (2565mm Lowered Height) | | X |
| Mast tilt - 6° Forward / 6° Back | X | |
| Mast tilt - 6° Forward / 12° Back | | X |

| HANDLING | STD | OPT |
|--|-----|-----|
| Manual lever hydraulic controls | X | |
| Mechanical lever hydraulic controls, designed for clamping applications | | X |
| 2 Function (0 Auxiliary) Hydraulic Valve | X | |
| 3 Function (1 Auxiliary) Hydraulic Valve | | X |
| 4 Function (2 Auxiliary) Hydraulic Valve | | X |
| 3 Function Hose Group (1 Auxiliary) | | X |
| 3 Function Hose Group (1 Auxiliary) | | X |
| 4 Function Hose Group (2 Auxiliary) | | X |
| 4 Function Hose Group (2 Auxiliary) | | X |
| Attachment Extension Tubes - 1 Pair | | X |
| 1038mm Class II Hook Type Carriage - H2.0-2.5UT | X | |
| 1100mm Hook Type Carriage - H3.0-3.5UT | X | |
| 1040mm Hook Type Integral Sideshift Carriage - H2.0-2.5UT | | X |
| 1100mm Class III Hook Type Integral Side Shift Carriage - H3.0-3.5UT | | X |
| 1200mm Class II Hook Type Carriage | | X |
| 940mm Load Backrest - H2.0-2.5UT | X | |
| 1080mm Load Backrest - H3.0-3.5UT | X | |
| 40 x 122 x 1070mm Hook Type Standard Tapered Forks - H2.0-2.5UT | X | |
| 40 x 122 x 1220mm Hook Type Standard Tapered Forks - H2.0-2.5UT | | X |
| 45 x 122 x 1070mm Hook Type Standard Tapered Forks - H3.0UT | X | |
| 45 x 122 x 1220mm Hook Type Standard Tapered Forks - H3.0UT | | X |
| 50 x 122 x 1070mm Hook Type Standard Taper Forks - H3.5UT | X | |
| 50 x 122 x 1220mm Hook Type Standard Taper Forks - H3.5UT | | X |
| CAB | STD | OPT |
| Cab with Heater | | X |
| Cab without Heater | | X |
| Front & Top Cab Panels | | X |
| Front, Top & Rear Cab Panels | | X |
| Rain Cover for Overhead Guard | | X |
| Dual Mirrors Side View | | X |
| Rear Drive Handle with Horn Button | | X |
| ERGONOMICS | STD | OPT |
| 2120mm Low Overhead Guard - H2.0-2.5UT | X | |
| 2145mm Low Overhead Guard - H3.0-3.5UT | X | |
| 2180mm High Overhead Guard - H2.0-2.5UT | | X |
| Non Suspension Vinyl Seat | X | |
| Full Suspension Vinyl Seat (SC29) | | X |
| Full Suspension Vinyl Seat (SC29) with Switch for OPS | X | |
| Standard Seat Belt | X | |
| Steering wheel with spinner knob | X | |
| Directional Lever | X | |
| VISIBILITY | STD | OPT |
| LED work lights | X | |
| 2 Front LED Work Lights with Stop, Tail, Indicator & Reverse Lights | X | |
| 2 Front and 1 Rear LED Work Lights with Stop, Tail, Indicator & Reverse Lights | X | |
| APPEARANCE | STD | OPT |
| Hyster yellow paint base truck | X | |
| Special paint base truck | | X |
| SUPPLEMENTAL | STD | OPT |
| Literature package | X | |
| Parts Manual | X | |
| Warranty: 12 Months / 2,000 Hours Manufacturers Warranty (Parts Only) | X | |



HYSTER EUROPE
Centennial House, Building 4.5, Frimley Business Park,
Frimley, Surrey, GU16 7SG, United Kingdom

Visit us online at www.hyster.com or call us at **+44 (0) 1276 538500**.

HYSTER-YALE UK LIMITED trading as Hyster Europe.
Registered Address: Centennial House, Building 4.5, Frimley Business Park, Frimley, Surrey GU16 7SG, United Kingdom.
Registered in England and Wales. Company Registration Number: 02636775.
© HYSTER-YALE UK LIMITED. 2023, all rights reserved. Hyster and  are trademarks of Hyster-Yale Group, Inc.
Hyster products are subject to change without notice. Trucks may be shown with optional equipment.



Safety: This truck conforms to the current EU requirements